

The power behind your lights



Model: JLV-12015PA-C Size: 162\*28\*20mm



**Brief Information**

**15W** (12W@120V input)

**Waterproof Power Supply (C.V.)**

Model JLV-12015PA-C

Input 100~250V AC

Output 12VDC 1.5A 15W (12W@120V input)

**Product Features**

- Compact size, easy for installation
- High transfer efficiency
- Wide input range
- Stable constant voltage output
- IP67, both indoor & outdoor use suitable
- 100% full loading, 100% burn-in tested
- Overload/short circuit protection

**MAIN ELECTRICAL DATA**

**AC Input**

Input Voltage	100~250V
Input Frequency	50/60Hz
Efficiency (Typ.)	>80%
Input Current	230V: 0.13A max. 120V: 0.25A max.
Inrush Current	40A
Leakage Current	3mA/230VAC

**DC Output**

	@230V input	@120V input
Output Voltage	12V	12V
Rated Current	1.5A	1A
Rated Power	15W	12W
Ripple & Noise (Max.)	<100mVp-p	<100mVp-p
Setup, Rise Time	1500ms	2000ms
Line Regulation	1%	1%
Load Regulation	1%	1%

**Service Environment**

Working Temp.	-30°C~50°C
Working Humidity	20~95%RH
Storage Temp.	-40°C~80°C
Storage Humidity	10~95%RH

**Packaging Information**

Product Dimension	162*28*20mm
Products Net Weight	135G
PCS/Carton(QTY)	50 PCS
Master Carton Size	36*23*16cm
G. Weight/ Carton	8KG

**Protection**

Overload	Yes, active when loading is over 110~120% Output Voltage drops if overloaded
Short Circuit	Yes, hiccup mode, recovers automatically after fault condition is removed

**Safety**

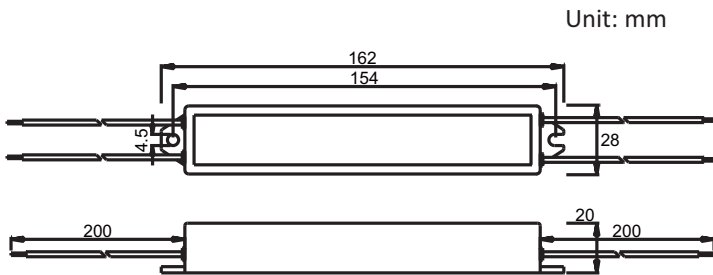
Safety Standard	EN 61347-2-13
Withstand Voltage	I/P-O/P: 3750VAC/1min/<5mA
Isolation Resistance	I/P-O/P: >100M Ohms / 500VDC /25°C / 70%RH

**Installation Tips:**

- Please identify the power supply's input and output before installation.
- Ensure correct output + & - wire connection.
- Power on after wire connection is done.
- To avoid voltage drop and loading capacity wasting on the output extension wire, please install the power supply to the loading as near as possible, if must use long extension wires, thicker wires and less loading wattage is required.
- The power supply to be installed at good ventilation and cooling environment.

The power behind your lights

## Physical Drawing



### Brief Information

**15W** (12W@120V input)

**Waterproof Power Supply (C.V.)**

Model JLV-12015PA-C

Input 100~250V AC

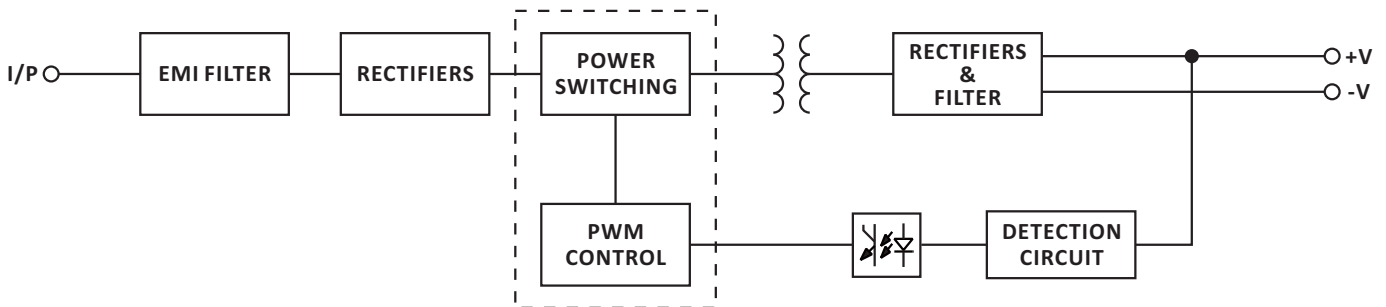
Output 12VDC 1.5A 15W (12W@120V input)

Input: 2x0.5mm<sup>2</sup> wire, Brown L, Blue N  
200mm length

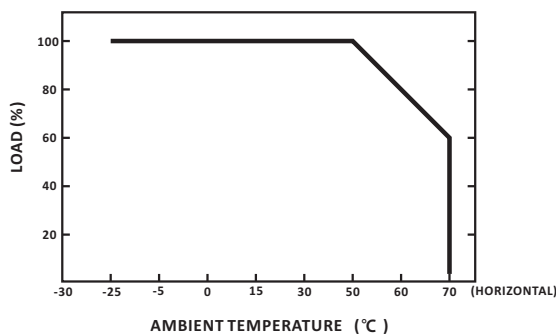
Output: 2x0.5mm<sup>2</sup> wire, Red +, Black -  
200mm length

Housing: ABS (fire retardant V0)

## Block Diagram



## Derating Curve



## Static Characteristics

