



Model: JLV-12030KA (Type B) Size: 190\*29\*21mm



## Brief Information

Powermax™  
Technology Inside

# 30W

## Waterproof Power Supply (C.V.)

Model JLV-12030KA / JLV-24030KA Type B-18

Input 100-250V AC

Output 12VDC 2.5A 30W / 24VDC 1.25A 30W

## Product Features

- Compact size, easy for installation
- High transfer efficiency
- Wide input range
- Stable constant voltage output
- IP67, both indoor & outdoor use suitable
- 100% full loading, 100% burn-in tested
- Overload/short circuit protection

## MAIN ELECTRICAL DATA

### AC Input

|                   |                                     |
|-------------------|-------------------------------------|
| Input Voltage     | 100-250V                            |
| Input Frequency   | 50/60Hz                             |
| Efficiency (Typ.) | 82%                                 |
| Input Current     | 230V: 0.25A max.<br>110V: 0.4A max. |
| Inrush Current    | 40A                                 |
| Leakage Current   | 3mA/230VAC                          |

### DC Output

|                       |               |               |
|-----------------------|---------------|---------------|
| Output Voltage        | 12V           | 24V           |
| Rated Current         | 2.5A          | 1.25A         |
| Rated Power           | 30W           | 30W           |
| Ripple & Noise (Max.) | <200mVp-p     | <200mVp-p     |
| Setup, Rise Time      | 1500ms/230VAC | 1500ms/230VAC |
| Line Regulation       | 2%            | 2%            |
| Load Regulation       | 2%            | 2%            |

## Service Environment

|                  |            |
|------------------|------------|
| Working Temp.    | -20°C~50°C |
| Working Humidity | 20~99%RH   |
| Storage Temp.    | -40°C~80°C |
| Storage Humidity | 10~99%RH   |

## Protection

|               |   |
|---------------|---|
| Overload      | Yes, cut-off mode, active when overloaded<br>5-30%, automatic recovery after load reduced |
| Short Circuit | Yes, hiccup mode, recovers automatically<br>after fault condition removed                 |

## Safety

|                      |   |
|----------------------|---|
| Safety Standard      | EN 61347-2-13                                 |
| Withstand Voltage    | I/P-O/P: 3000KVAC/1min/<5mA                   |
| Isolation Resistance | I/P-O/P: >100M Ohms / 500VDC<br>/25°C / 70%RH |

## Packaging Information

|                     |             |
|---------------------|-------------|
| Product Dimension   | 190*29*21mm |
| Products Net Weight | 235G        |
| PCS/Carton(QTY)     | 50 PCS      |
| Master Carton Size  | 39*22*22cm  |
| G. Weight/ Carton   | 13KG        |

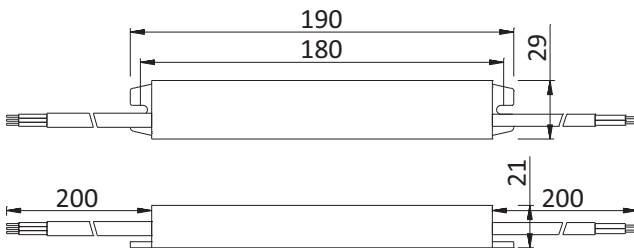
### Installation Tips:

- Please identify the power supply's input and output before installation.
- Ensure correct output + & - wire connection.  
Power on after wire connection is done.
- To avoid voltage drop and loading capacity wasting on the output extension wire, please install the power supply to the loading as near as possible, if must use long extension wires, thicker wires and less loading wattage is required.
- The power supply to be installed at good ventilation and cooling environment.

*The power behind your lights*

## Physical Drawing

Unit: mm



### Brief Information

**Powermax™**  
Technology Inside

# 30W

**Waterproof Power Supply (C.V.)**

Model JLV-12030KA / JLV-24030KA Type B-18

Input 100-250V AC

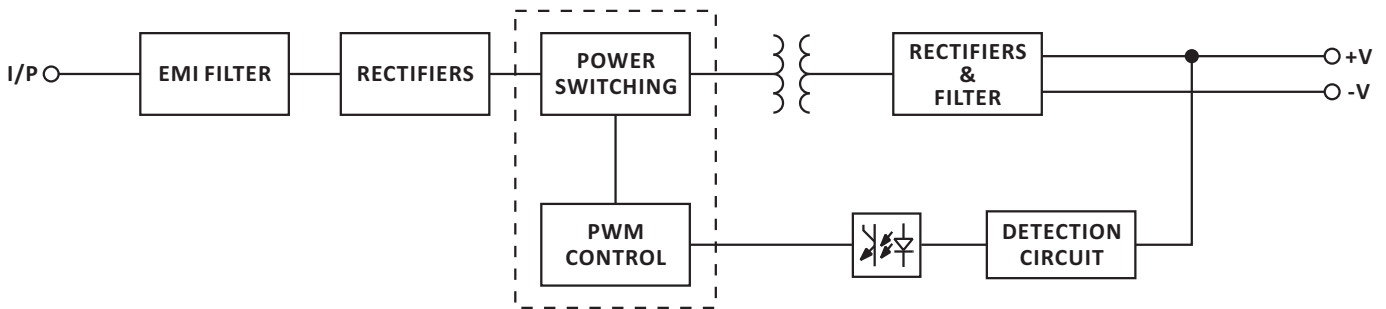
Output 12VDC 2.5A 30W / 24VDC 1.25A 30W

Input: 3x0.75mm<sup>2</sup> wire, Brown L, Blue N  
200mm length

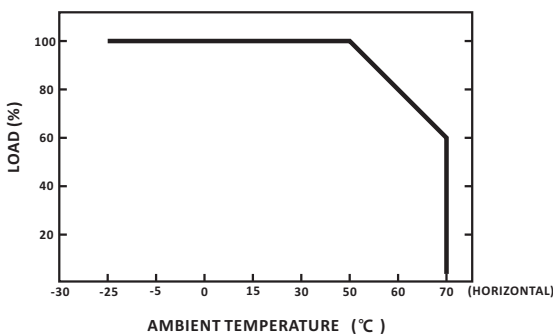
Output: 2x0.75mm<sup>2</sup> wire, Red +, Black -  
200mm length

Housing: Aluminium

## Block Diagram



## Derating Curve



## Static Characteristics

