

ARMA - JNB

Waterproof Led Power Supply

ARMALED AYDINLATMA ELEMANLARI
İMALAT SANAYİ VE TİCARET. A.Ş.
Ümraniye İstanbul Türkiye
Tel: +90 216 365 4646
E-mail: info@armaled.com.tr www.armaled.com.tr



Model: JLV-12018PA (12V) Size: 162*28*20mm
JLV-24018PA (24V)



Brief Information

18W

Waterproof Power Supply (C.V.)

Model JLV-12018PA / JLV-24018PA

Input 185-250V AC

Output 12VDC 1.5A 18W / 24VDC 0.75A 18W

Product Features

- Compact size, easy for installation
- High transfer efficiency
- Wide input range
- Stable constant voltage output
- IP67, both indoor & outdoor use suitable
- 100% full loading, 100% burn-in tested
- Overload/short circuit protection

MAIN ELECTRICAL DATA

AC Input

| | |
|-------------------|------------------------------|
| Input Voltage | 185-250V |
| Input Frequency | 50/60Hz |
| Efficiency (Typ.) | 83% |
| Input Current | 230V: 0. 19A _{max.} |
| Inrush Current | 40A |
| Leakage Current | 1mA/230VAC |

DC Output

| | | |
|-----------------------|---------------|---------------|
| Output Voltage | 12V | 24V |
| Rated Current | 1.5A | 0.75A |
| Rated Power | 18W | 18W |
| Ripple & Noise (Max.) | <100mVp-p | <100mVp-p |
| Setup, Rise Time | 1500ms/230VAC | 1500ms/230VAC |
| Line Regulation | 1% | 1% |
| Load Regulation | 1% | 1% |

Service Environment

| | |
|------------------|------------|
| Working Temp. | -30°C~50°C |
| Working Humidity | 20~95%RH |
| Storage Temp. | -40°C~80°C |
| Storage Humidity | 10~95%RH |

Protection

| | |
|---------------|---|
| Overload | Yes, active when loading is over 110~120% Output Voltage drops if overloaded |
| Short Circuit | Yes, hiccup mode, recovers automatically after fault condition is removed |

Safety

| | |
|----------------------|---|
| Safety Standard | EN 61347-2-13 |
| Withstand Voltage | I/P-O/P: 3750VAC/1min/<5mA |
| Isolation Resistance | I/P-O/P: >100M Ohms / 500VDC /25°C / 70%RH |

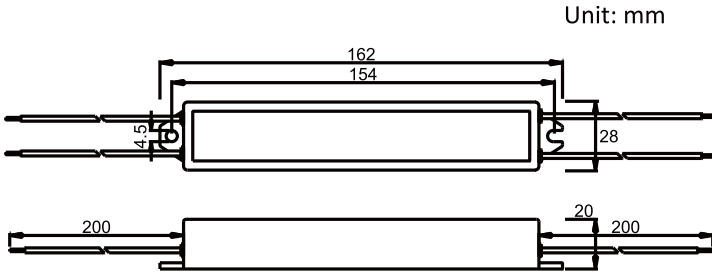
Packaging Information

| | |
|--------------------|-------------|
| Product Dimension | 162*28*20mm |
| Product Net Weight | 135G |
| PCS/Carton(QTY) | 100 PCS |
| Master Carton Size | 26*22*23cm |
| G. Weight/ Carton | 16KG |

Installation Tips:

- Please identify the power supplys input and output before installation.
- Ensure correct output + & - wire connection.
Power on after wire connection is done.
- To avoid voltage drop and loading capacity wasting on the output extension wire, please install the power supply to the loading as near as possible, if must use long extension wires, thicker wires and less loading wattage is required.
- The power supply to be installed at good ventilation and cooling environment.

Physical Drawing



Brief Information

18W

Waterproof Power Supply (C.V.)

Model JLV-12018PA / JLV-24018PA

Input 185-250V AC

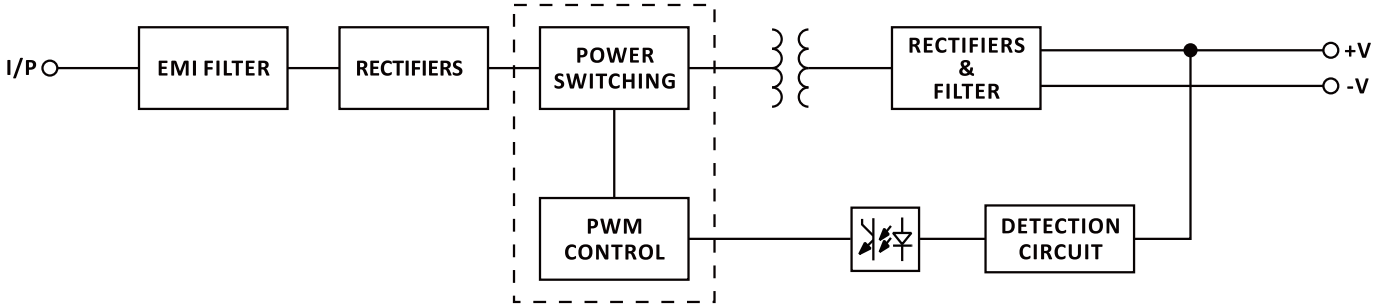
Output 12VDC 1.5A 18W / 24VDC 0.75A 18W

Input: 2x0.5mm² wire, Brown L, Blue N
 200mm length

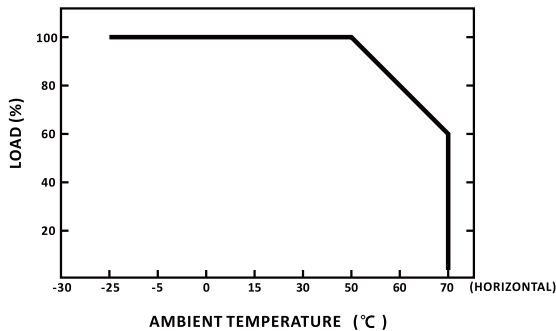
Output: 2x0.5mm² wire, Red +, Black -
 200mm length

Housing: ABS (fire retardant V0)

Block Diagram



Derating Curve



Static Characteristics

